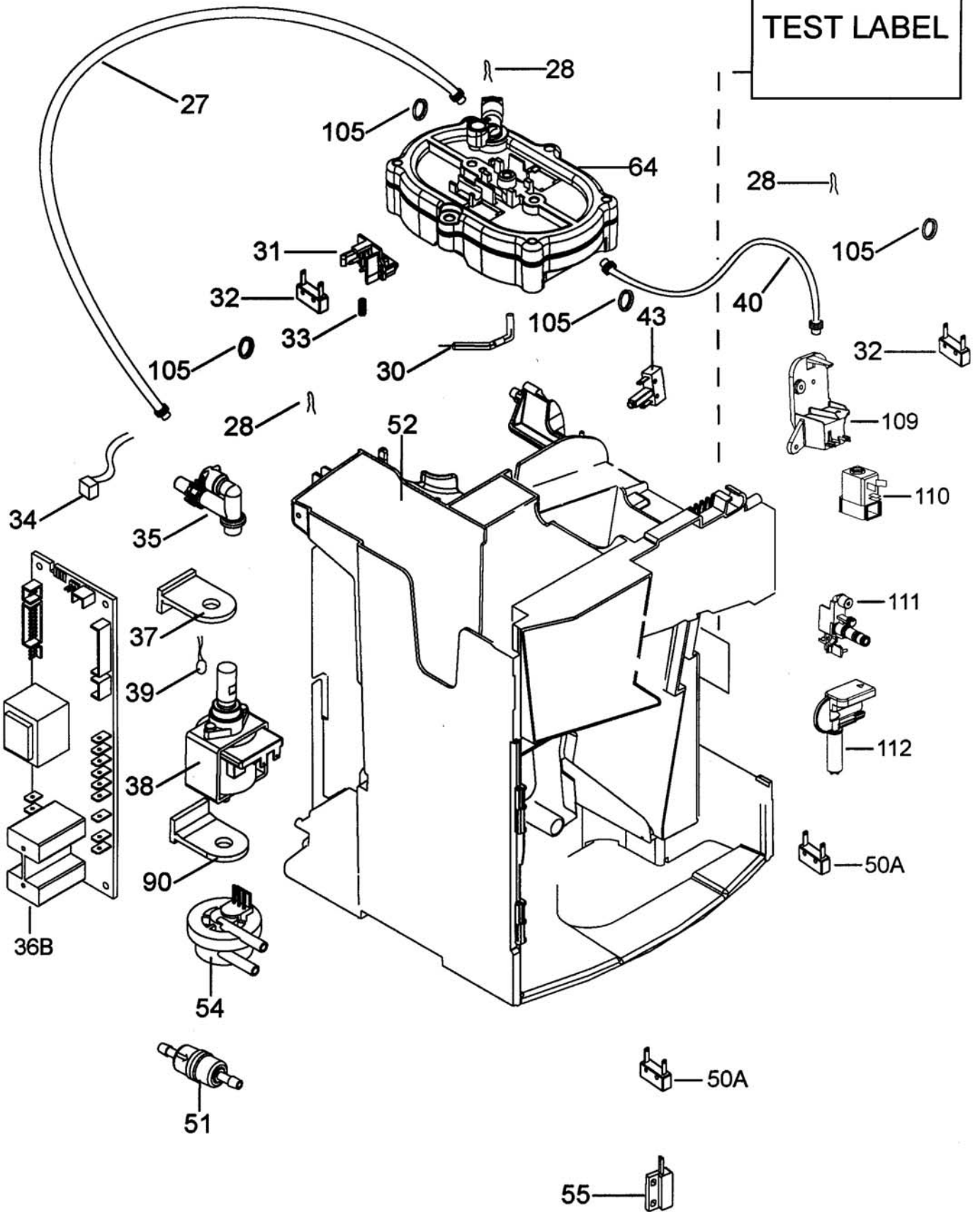


TEST LABEL



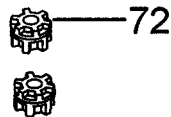
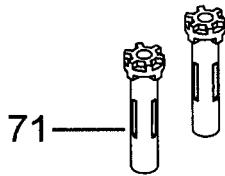
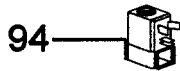
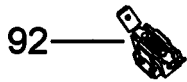
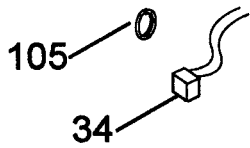
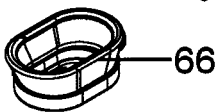
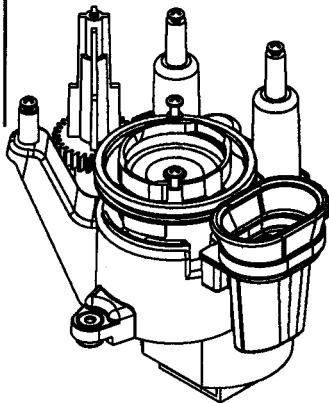
TEST LABEL



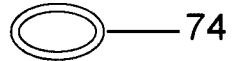
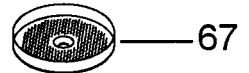
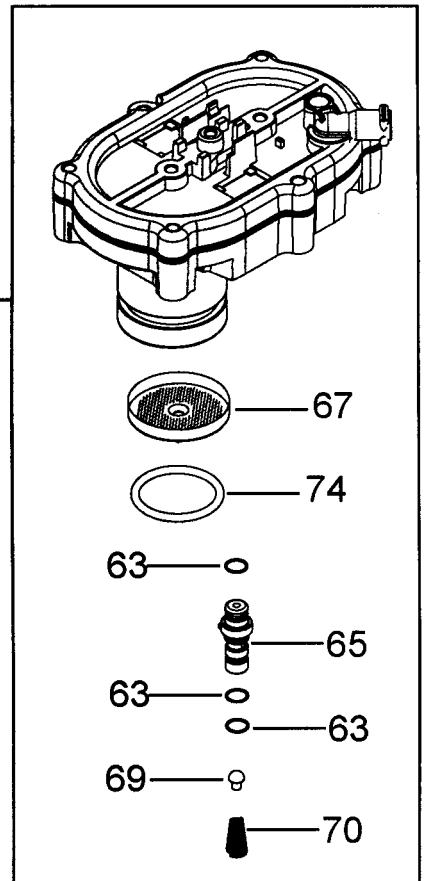
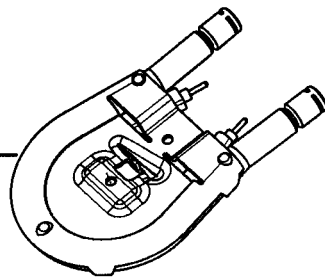
TO PLACE AN ORDER CHECK THE LABEL

CCCCC **EE** SSSSS PPPP

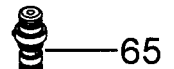
AB=62B



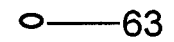
64



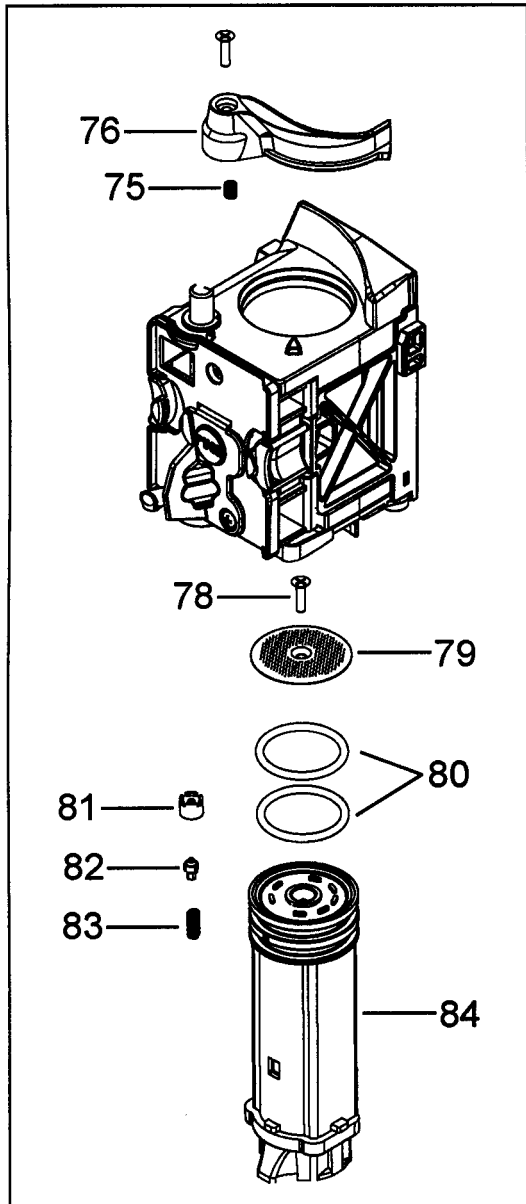
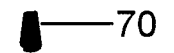
63



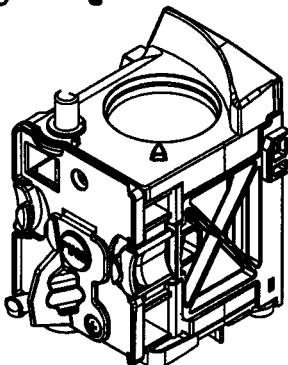
63



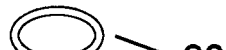
69



75



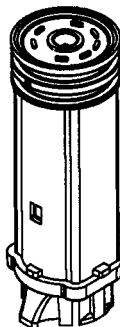
78



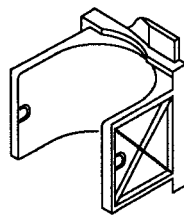
81

82

83

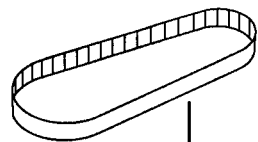
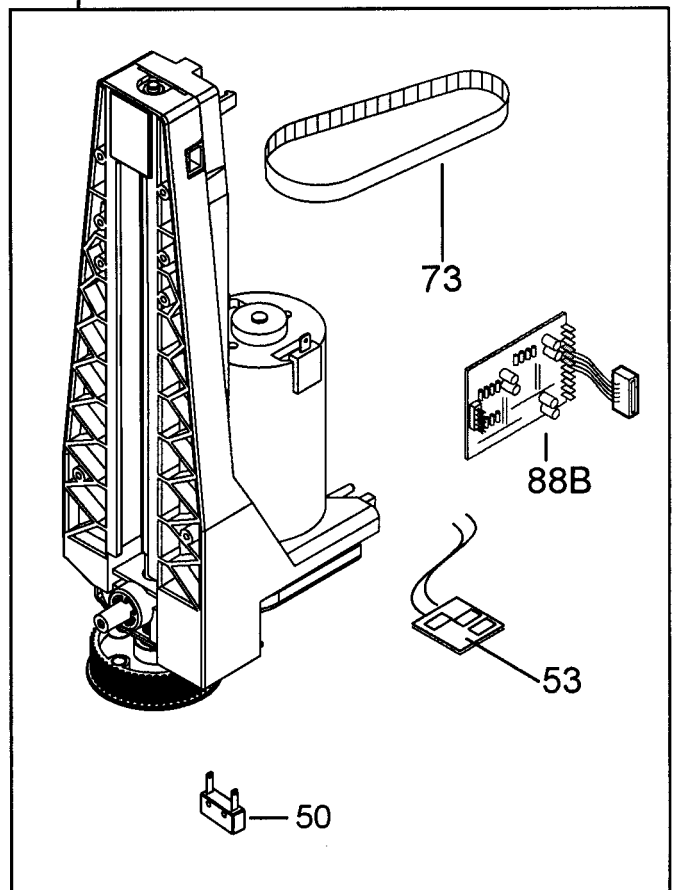


77

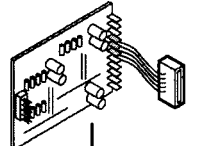


91

68B



73



88B



53



50

| Position | Code | description |
|----------|------------|---|
| | 5332108700 | GASKET |
| | 7313217261 | ASS. GRINDS (ECM) |
| | 5032514800 | WIRING FLOWMETER L470 |
| | 5313210401 | COVER |
| | 5332224100 | MOTOR BELT GRINDER |
| | 5332164700 | RUNNER FRAME |
| | 5013252911 | CAB CONTATORE-VOLUMETRICO L630(PVC) MCSA |
| | 5313215891 | GOMMINO ANTIMACCH GREY(EPDM70Z 70SH)MCSA |
| | 6113210111 | STAFFA TCO(ACC.C70) (GENERATORE) ECAM |
| | 6113210121 | BRACKET |
| | 5332215100 | GASKET PIPE STIFF(NBR FOOD)BLACK 60SH-A |
| | 6932102800 | BRACKET |
| | 6913210021 | E.VALVE BRACKET 2WAY(S.VAP) DEGREASED |
| | 6913210031 | E.VALVE BRACKET 3WAY DEGREASED MCSA |
| | 6913210011 | BRACKET |
| | 5332238300 | TUBE 90° |
| | 5332270300 | COVER |
| 001 | 5332187300 | COVER |
| 002 | 5332187200 | COVER |
| 004 | 7313224481 | CLOSURE |
| 005 | 5332187500 | SIDE LEFT |
| 006 | 5913210471 | KNOB |
| 007 | 5532146600 | TANK |
| 008 | 5332187600 | REAR PANEL |
| 009 | 5332187400 | SIDE RIGHT |
| 010 | 5532134100 | CONTROL PANEL |
| 011 | VI000 | SEE TECNICAL INFORMATION |
| 012 | 7313220561 | DOOR ASSY |
| 013 | 5332142600 | HOOK |
| 014 | 5332145600 | COVER |
| 015 | 7313228241 | WATER TANK |
| 016 | 5332203200 | PROFILE |
| 017 | 6032107700 | CUP PLATE |
| 018 | 5332213400 | TRAY |
| 019 | 5332225800 | BOTTOM |

| | | |
|------|------------|---------------------------------|
| 020 | 5332266300 | FLOAT |
| 021 | 5332169200 | MEASURING SPOON |
| 027 | 5513219851 | TUBE PTFE L=335 NUT 1BUSHE |
| 028 | 6132101300 | CLIP |
| 030 | 5032526800 | WIRING TCO |
| 031 | 5332142200 | SUPPORT |
| 032 | 5132104100 | MICROSWITCH |
| 033 | 6132104700 | SPRING |
| 034 | 5217100200 | SENSOR NTC |
| 035 | 7313219431 | VALVE |
| 036B | 5213212811 | POWER BOARD |
| 037 | 5332225700 | SUPPORTO |
| 038 | 5113211281 | PUMP |
| 039 | 5232103200 | PROTECTOR |
| 040 | 5513212881 | TUBE PTFE DI2-DE4 L=270 2BUSHES |
| 044 | 5213212871 | CONTROL BOARD |
| 048 | 5332218900 | PUSH BUTTON |
| 050 | 5113210421 | MICROSWITCH |
| 050A | 5132105400 | MICROSWITCH |
| 051 | 5513220521 | FILTER |
| 053 | 5213213971 | HALL SENSOR |
| 054 | 5213214671 | FLOWMETER |
| 055 | 5232104600 | SENSOR REED |
| 062B | 5513227971 | COMPLETE GRINDER |
| 063 | 5313217751 | O-RING |
| 064 | 5513227881 | GENERATOR |
| 065 | 5332213000 | PIN |
| 066 | 5332144900 | GASKET |
| 067 | 5332139200 | FILTER |
| 068B | 5513227951 | TRANSMISSION KIT |
| 069 | 5332148400 | VALVE |
| 070 | 6132106900 | SPRING |
| 071 | 5332142300 | BUSH |
| 072 | 5332142400 | BUSH |
| 073 | 5313243071 | BELT |
| 074 | 5332149100 | O-RING |
| 075 | 6132103500 | SPRING |
| 076 | 5332139800 | LEVER |

| | | |
|------|------------|---------------------------|
| 077 | 5513227871 | DIFFUSER KIT |
| 078 | 9812631250 | SCREW |
| 079 | 6013213181 | FILTER (TAI-FENG) |
| 081 | 5332139600 | STOPPER |
| 082 | 5332139500 | VALVE |
| 083 | 6132106700 | SPRING |
| 084 | 5332140300 | PISTON |
| 088B | 5213212381 | MOTOR BOARD (ECM) |
| 089 | 5332203400 | COVER |
| 090 | 534848 | SUPPORT |
| 091 | 7332166600 | SLIDER |
| 092 | 5232105000 | TCO |
| 094 | 5513225711 | KIT SOLENOID VALVE 3V |
| 095 | IT0286 | SEE TECHNICAL INFORMATION |
| 096 | 5332195000 | GLASS |
| 097 | 5932124600 | FRONT PANEL |
| 099 | 5332194900 | COVER |
| 100 | 5332195300 | KEYBOARD |
| 105 | 5313217701 | O-RING D=3,85 |
| 106 | 5332219000 | PUSH BUTTON |
| 107 | 7313210921 | COVER |
| 108 | 5513218341 | TANK |
| 109 | 5313219491 | SUPPORT |
| 110 | 5513225701 | KIT SOLENOID VALVE 2V |
| 111 | 5513227411 | COUPLING CARAFE |
| 112 | 5532124900 | PIPETTE |