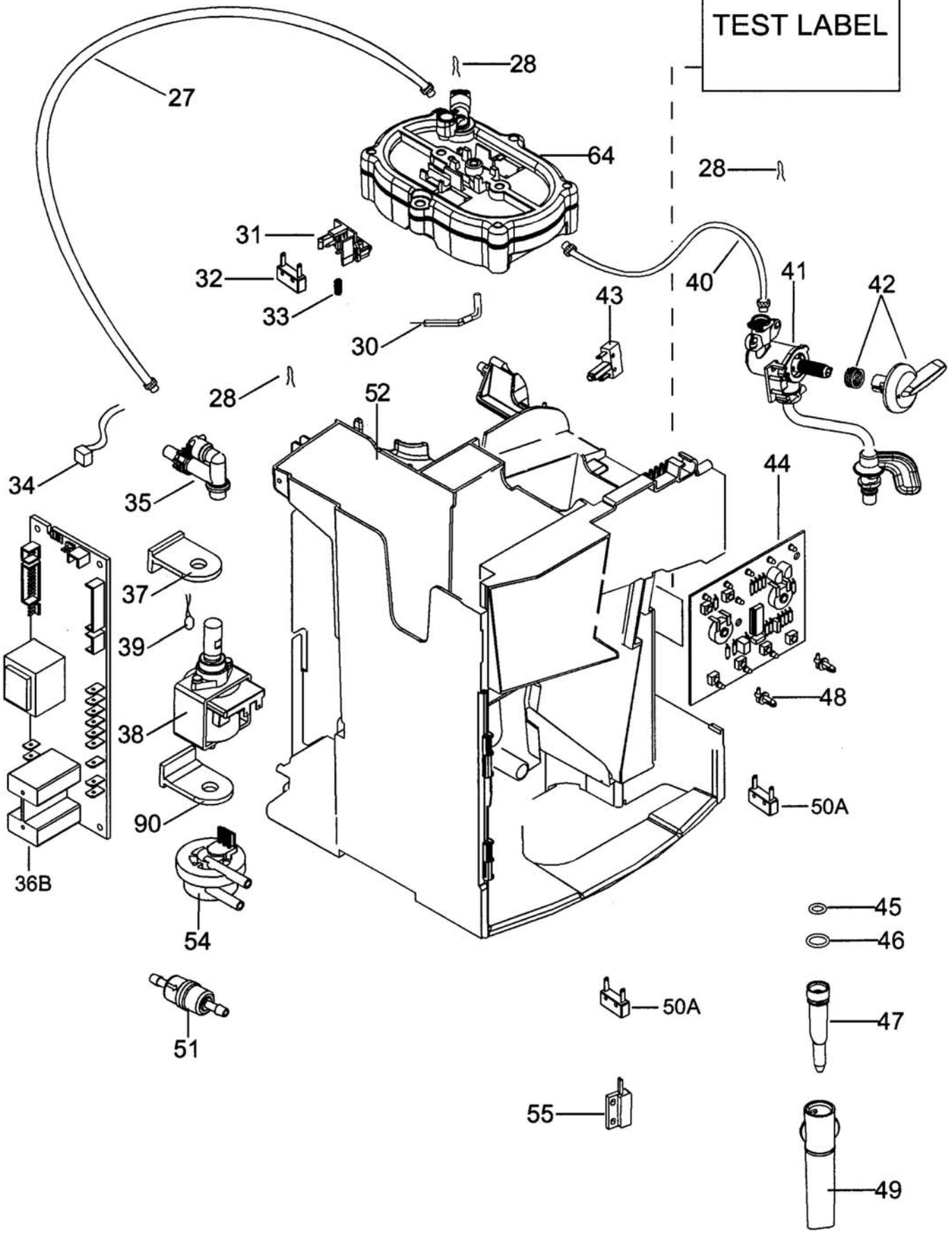


TEST LABEL



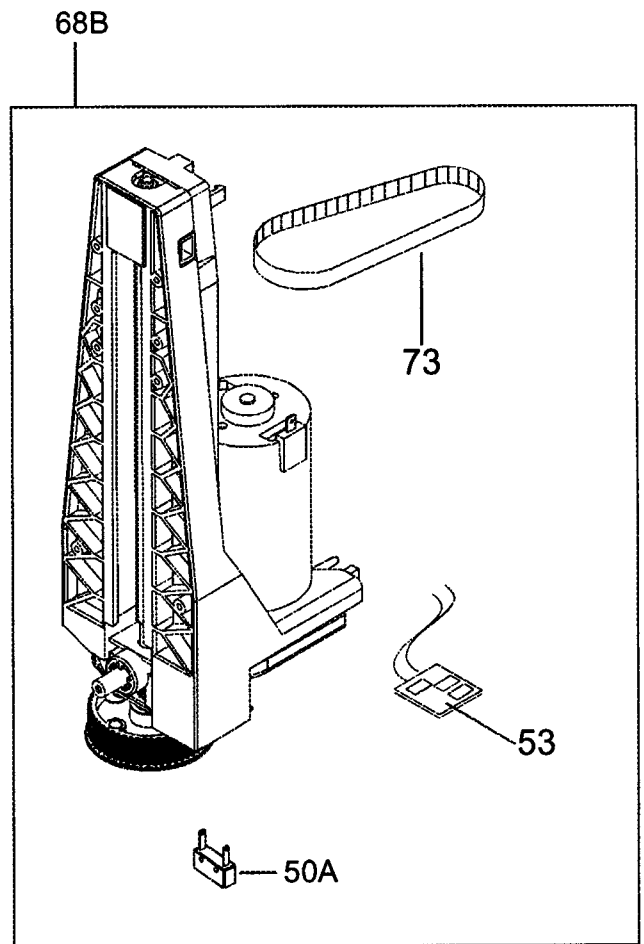
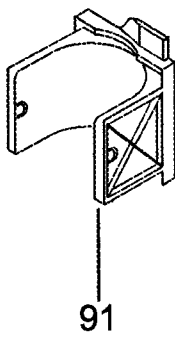
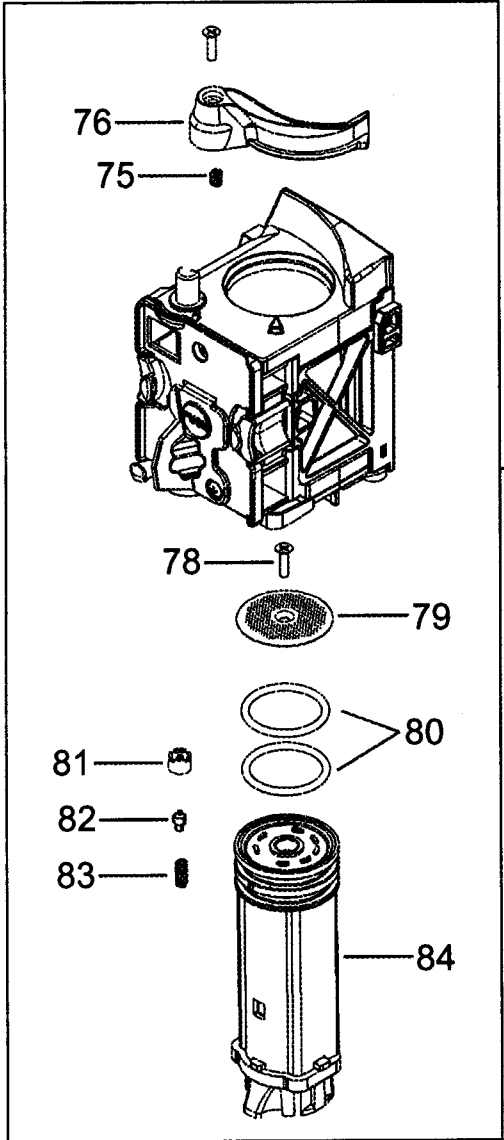
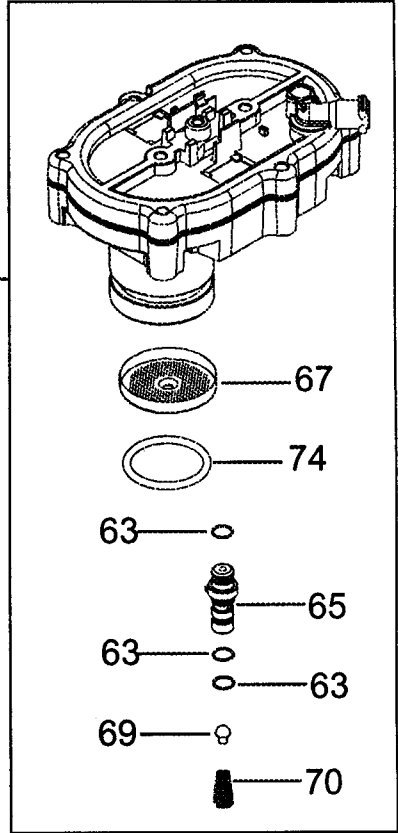
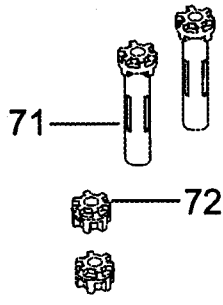
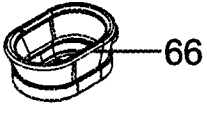
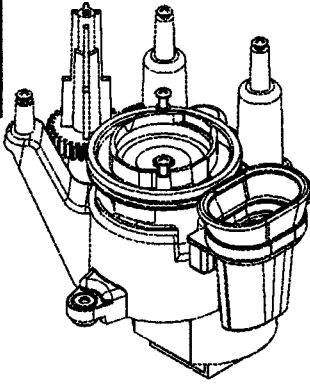
TEST LABEL



TO PLACE AN ORDER CHECK THE LABEL

CCCCC **EE** SSSSS PPPP

AB=62B



| Pos | Codice | Italiano | English | Francais | Deutsch | Espanol |
|-----|------------|-------------------|--------------------|----------------------|--------------------------|--------------------|
| 01 | 5332143500 | COPERCHIO | COVER | COUVERCLE | DECKEL | TAPA |
| 02 | 5332143400 | COPERCHIETTO | COVER | COUVERCLE | DECKEL | TAPADERA |
| 04 | 5332151000 | CHIUSURA | CLOSURE | FERMETURE | VERSCHLUSS | CIERRE |
| 05 | 5332143900 | FIANCO SX | SIDE LEFT | COTE GAUCHE | SEITE LINKS | LADO IZQUIERDO |
| 06 | 5932123700 | MANOPOLA | KNOB | BOUTON | KNOPF | MANDO |
| 07 | 5332143200 | SERBATOIO | TANK | RESERVOIR | TANK | DEPOSITO |
| 08 | 5332144000 | SCHIENALE | REAR PANEL | PANNEAU ARRIERE | RUECKWAND | RESPALDO |
| 09 | 5332143800 | FIANCO DX | SIDE RIGHT | COTE DROITE | SEITE RECHTS | LADO DERECHA |
| 10 | 5932119500 | FRONTALINO | FRONT PIECE | PIECE FRONTALE | VORDERSTUECK | Elemento Delantero |
| 11 | 5332144400 | VASCHETTA | TRAY | CUVETTE | BEHALTER | CUBETA |
| 12 | 7332199200 | ASSIEME PORTA | DOOR ASSY | PORTE COMPLETE | TUER KPL | PUERTA COMPLETA |
| 13 | 5332142600 | GANCIO | HOOK | CROCHET | HAKEN | GANCHO |
| 14 | 5332145600 | COPERCHIETTO | COVER | COUVERCLE | DECKEL | TAPADERA |
| 15 | 7332165800 | VASCHETTA | TRAY | CUVETTE | BEHALTER | CUBETA |
| 16 | 5332153300 | PROFILO | PROFILE | PROFIL | LEISTE | PERFIL |
| 17 | 5332221600 | POGGIATAZZE | CUP PLATE | PORTE TASSES | TASSEN AUFLAGE | PORTATAZAS |
| 18 | 5332144200 | VASCHETTA | TRAY | CUVETTE | BEHALTER | CUBETA |
| 19 | 5332225000 | FONDO | BOTTOM | FOND | BODEN | FONDO |
| 20 | 5332144300 | GALLEGGIANTE | FLOAT | FLOTTEUR | SCHWIMMER | FLOTADOR |
| 21 | 5332107900 | MISURINO | MEASURING SPOON | CUILLIERE | MESSLOEFFEL | DE DOSAGE MEDIDOR |
| 22 | 5332221100 | MANOPOLA | KNOB | BOUTON | KNOPF | MANDO |
| 23 | 5332219300 | CRUSCOTTO | CONTROL PANEL | Tableau deCommande | BEDIENUNGSBLENDE | Marco Panel Mandos |
| 27 | 5532118000 | TUBO | TUBE | TUBE | ROHR | TUBO |
| 28 | 6132101300 | MOLLA | SPRING | RESSORT | FEDER | MUELLE |
| 30 | 5032513900 | TCO | TCO | SecuriteDeSurchauf. | UEbertemperatursicherung | Fusibile Termico |
| 31 | 5332142200 | SUPPORTO | SUPPORT | SUPPORT | HALTER | SOPORTE |
| 32 | 5132104100 | MICROINTERRUTTORE | MICROSWITCH | MICRORUPTEUR | MIKROSCHALTER | MICROINTERRUPTOR |
| 33 | 6132104700 | MOLLA | SPRING | RESSORT | FEDER | MUELLE |
| 34 | 5217100200 | SENSORE NTC | SENSOR NTC | SENSEUR NTC | SENSOR NTC | SENSORE NTC |
| 35 | 7332165600 | VALVOLA | VALVE | SOUPAPE | VENTIL | VALVULA |
| 36B | 5232116200 | SCHEDA POTENZA | POWER BOARD | FICHE DE PUISSANCE | STROHMSTEARKE PLATINE | FICHA POTENCIA |
| 37 | 5332159800 | SUPPORTO | SUPPORT | SUPPORT | HALTER | SOPORTE |
| 38 | 5132106900 | POMPA | PUMP | POMPE | PUMPE | BOMBA |
| 39 | 5232103200 | PROTETTORE | PROTECTOR | PROTECTEUR | UEBERTEMP.SCHUTZ | PROTECTOR |
| 40 | 5532118100 | TUBO L=190 | TUBE L=190 | TUBE L=190 | ROHR L=190 | TUBO L=190 |
| 41 | 7332198800 | RUBINETTO | TAP | ROBINET | HAHN | GRIFO |
| 42 | 5532137900 | MANOPOLA | KNOB | BOUTON | KNOPF | MANDO |
| 43 | 5132103900 | MICROINTERRUTTORE | MICROSWITCH | MICRORUPTEUR | MIKROSCHALTER | MICROINTERRUPTOR |
| 44 | 5232110000 | SCHEDA COMANDI | CONTROL BOARD | FICHE DE CONTROLLE | BEDIENUNGS PLATINE | FICHA MANDOS |
| 45 | 5332107700 | O-RING | O-RING | JOINT OR | O-RING | O-RING |
| 46 | 533135 | O-RING | O-RING | JOINT OR | O-RING | O-RING |
| 47 | 5332113800 | TUBO INFERIORE | TUBE LOWER | TUBE INF. | ROHR (UNTEN) | TUBO INF. |
| 48 | 5332249000 | PROLUNGA | EXTENSION | RALLONGE | VERLAENGERUNG | PROLONGACION |
| 49 | 5332229600 | COPERTURA | COVER | COUVERTURE | VERSCHLUSS | REVESTIMIENTO |
| 50 | 5132103900 | MICROINTERRUTTORE | MICROSWITCH | MICRORUPTEUR | MIKROSCHALTER | MICROINTERRUPTOR |
| 50A | 5132105200 | MICROINTERRUTTORE | MICROSWITCH | MICRORUPTEUR | MIKROSCHALTER | MICROINTERRUPTOR |
| 51 | VT205651 | FILTRO | FILTER | FILTRE | FILTER | FILTRO |
| 52 | 7313210681 | TELAIO | FRAME | CHASSIS | RAHMEN | CHASIS |
| 53 | 5232102700 | SCHEDA SONDA | BOARD FEELER | FICHE SONDE | PLATINE FUEHLER | FICHA SONDA |
| 54 | 5232101400 | MISURATORE ACQUA | WATER VOLUME METER | DEBITMETRE EAU | WASSER DURCHFLUSSMESSER | MEDIDOR DE AGUA |
| 55 | 5232104000 | SENSORE REED | SENSOR REED | SENSEUR REED | SENSOR REED | SENSORE REED |
| 62B | 7332203600 | MACININO COMPLETO | COMPLETE GRINDER | MOULN A CAFE COMPLET | KAFFEMUEHLE KOMPLET | MOLINILLO COMPLETO |
| 63 | 5332149000 | O-RING | O-RING | JOINT OR | O-RING | O-RING |
| 64 | 7332201500 | GENERATORE | GENERATOR | GENERATEUR | GENERATOR | GENERADOR |
| 65 | 5332184900 | PERNO | PIN | PIVOT | STIFT | PERNO |
| 66 | 5332144900 | GUARNIZIONE | GASKET | JOINT | DICHTUNG | GUARNICION |
| 67 | 5332139200 | FILTRO | FILTER | FILTRE | FILTER | FILTRO |
| 68B | 7332167200 | KIT TRASMISSIONE | TRANSMISSION KIT | KIT DE TRANSMISSION | KIT TRANSMISSION | KIT TRANSMISION |
| 69 | 5332148400 | VALVOLA | VALVE | SOUPAPE | VENTIL | VALVULA |
| 70 | 6132106900 | MOLLA | SPRING | RESSORT | FEDER | MUELLE |
| 71 | 5332142300 | BUSSOLA | BUSH | DOUILLE | BUCHSE | MANGUITO |
| 72 | 5332142400 | BUSSOLA | BUSH | DOUILLE | BUCHSE | MANGUITO |
| 73 | 5332147300 | CINGHIA | BELT | COURROIE | RIEMEN | CORREA |
| 74 | 5332149100 | O-RING | O-RING | JOINT OR | O-RING | O-RING |
| 75 | 6132103500 | MOLLA | SPRING | RESSORT | FEDER | MUELLE |
| 76 | 5332139800 | LEVA | LEVER | LEVIER | HEBEL | PALANCA |
| 77 | 7332183900 | KIT DIFFUSORE | DIFFUSER KIT | DIFFUSEUR KIT | DIFFUSOR KIT | DIFUSOR KIT |
| 78 | 9812631250 | VITE | SCREW | VIS | SCHRAUBE | TORNILLO |
| 79 | 6032105300 | DIFFUSORE | DIFFUSER | DIFFUSEUR | DIFFUSOR | DIFUSOR |
| 80 | 5332149100 | O-RING | O-RING | JOINT OR | O-RING | O-RING |
| 81 | 5332139600 | TAPPO | STOPPER | BOUCHON | STOEPSSEL | TAPON |
| 82 | 5332139500 | VALVOLA | VALVE | SOUPAPE | VENTIL | VALVULA |
| 83 | 6132106700 | MOLLA | SPRING | RESSORT | FEDER | MUELLE |
| 84 | 5332140300 | PISTONE | PISTON | PISTON | KOLBEN | PISTON |
| 88B | 5232104400 | SCHEDA | BOARD | FICHE | PLATINE | FICHA |
| 89 | 5332147500 | COPERTURA | COVER | COUVERTURE | VERSCHLUSS | REVESTIMIENTO |

| Pos | Codice | Italiano | English | Francais | Deutsch | Espanol |
|-----|-------------------|----------|---------|-----------|-----------|-----------|
| 90 | 534848 | SUPPORTO | SUPPORT | SUPPORT | HALTER | SOPORTE |
| 91 | 7332166600 | SLITTA | SLIDER | GLISSIERE | SCHLITTEN | CORREDERA |

DE'LONGHI 'INT' ESAM2600 Cod.0132212042